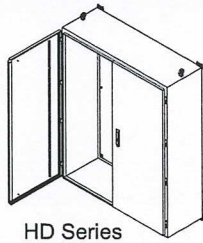


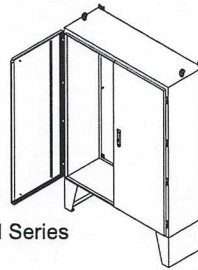


## HD/HDM Series

## EEMAC / NEMA 12 Double Door Enclosures



HD Series



HDM Series

### TECHNICAL READOUT

Catalog No.		Dimensions			Panel		Weight	
Without Feet	With Feet	A	B	C	D	E	Without Feet	With Feet
HD544208	HDM544208	54	42	8	50	x 38	260	275
HD604808	HDM604808	60	48	8	56	x 44	425	440
HD604810	HDM604810	60	48	10	56	x 44	430	447
HD606010	HDM606010	60	60	10	56	x 56	520	537
HD726010	HDM726010	72	60	10	68	x 56	595	612
HD727210	HDM727210	72	72	10	68	x 68	710	736
HD484812	HDM484812	48	48	12	44	x 44	396	416
HD604812	HDM604812	60	48	12	56	x 44	456	476
HD606012	HDM606012	60	60	12	56	x 56	532	552
HD726012	HDM726012	72	60	12	68	x 56	615	635
HD727212	HDM727212	72	72	12	68	x 68	710	730
HD604816	HDM604816	60	48	16	56	x 44	480	504
HD606016	HDM606016	60	60	16	56	x 56	500	524
HD726016	HDM726016	72	60	16	68	x 56	700	724
HD727216	HDM727216	72	72	16	68	x 68	745	769
HD604820	HDM604820	60	48	20	56	x 44	456	486
HD726020	HDM726020	72	60	20	68	x 56	700	730
HD727220	HDM727220	72	72	20	68	x 68	855	885
HD604824	HDM604824	60	48	24	56	x 44	500	538
HD606024	HDM606024	60	60	24	56	x 56	600	638
HD726024	HDM726024	72	60	24	68	x 56	760	790
HD727224	HDM727224	72	72	24	68	x 68	890	928

### Wide Models

HD244210	HDM244210	24	42	10	20	x 38	125	142
HD304210	HDM304210	30	42	10	26	x 38	150	167
HD364812	HDM364812	36	48	12	32	x 44	227	244

### Application:

Type 12 enclosure designed to house and protect pneumatic, hydraulic or electrical equipment.

### Construction:

- 14 or 12 steel gauge
- Slip hinges enabling door removal for easier access and mounting
- Continuously welded and ground smooth seams
- Three point lock flush handle
- Grounding stud on inner door surface and hole on back panel
- 2 or 4 lifting eye bolts
- 12 gauge galvanized back panel (HD7272 will be steel painted smooth white)
- Galvanized mounting rail
- Self-adhesive polymer BEL data pocket
- 12" high mounting feet on HDM model
- ANSI/ASA61 grey polyester textured powder coating inside out

### Also Available:

- TYPE 3R and 4 construction (drip shield, stainless hinges)
- Cutouts, louvers, hubs and windows
- Set of rail for door mounting
- Aluminium, SS, galvanized steel
- Special finishes & sizes

### Standards:

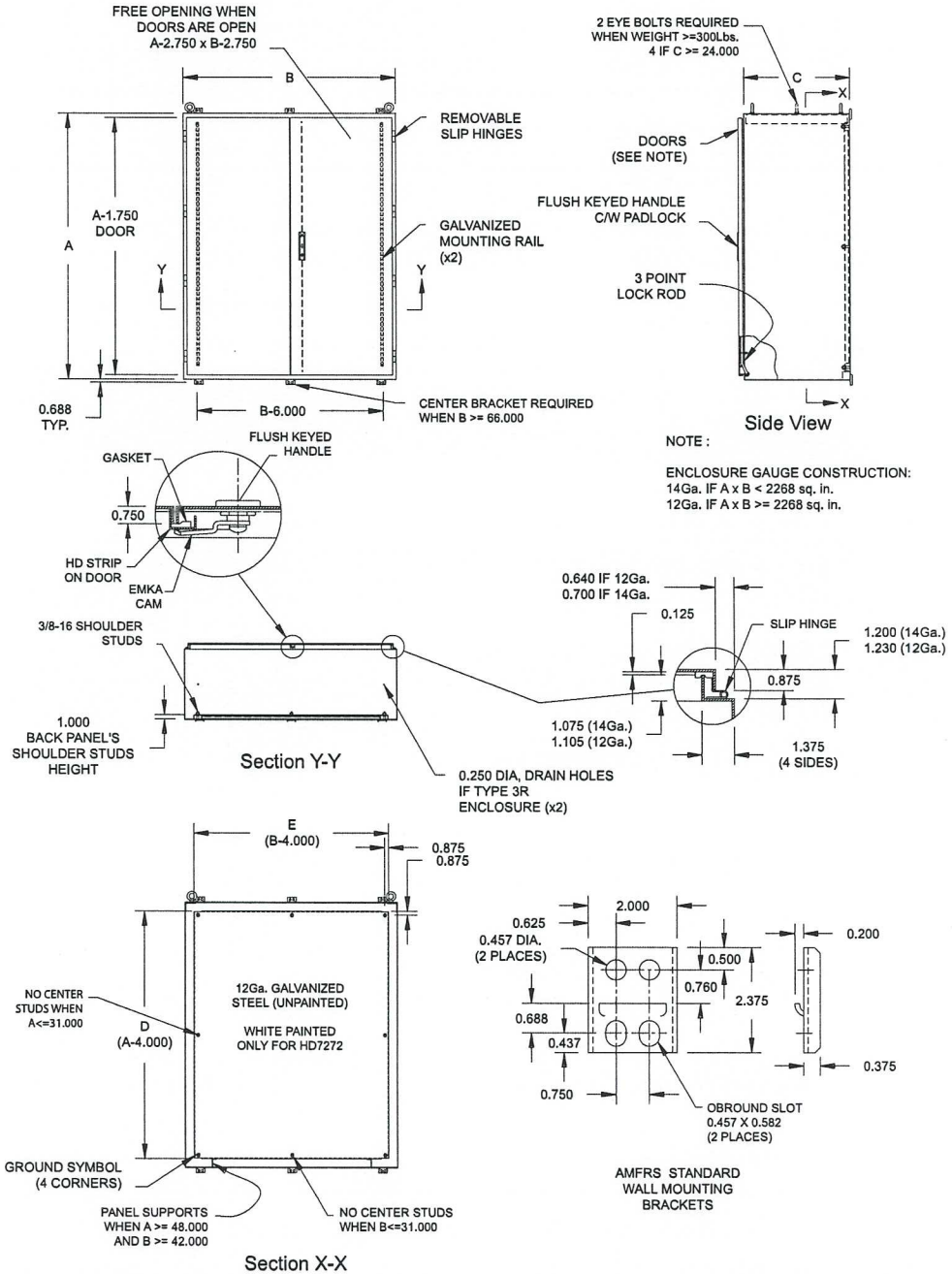
- CSA certified 150359
- UL listed E109310





# HD/HDM Series

# EEMAC / NEMA 12 Double Door Enclosures





## Accessories

## Panels For HD and FRS Enclosures

### TECHNICAL READOUT

Catalog No.	Box Size		Panel Size		Weight lbs.
	Height	Width	Height	Width	
AHDP2442	24	x 42	20	x 38	26
AHDP3042	30	x 42	26	x 38	36
AHDP3648	36	x 48	32	x 44	50
AHDP4848	48	x 48	44	x 44	58
AHDP5442	54	x 42	50	x 38	80
AHDP6048	60	x 48	56	x 44	103
AHDP6060	60	x 60	56	x 56	130
AHDP7260	72	x 60	68	x 56	157
AHDP7272	72	x 72	68	x 68	192

### TECHNICAL READOUT

Catalog No.	Description	Cabinet Size		Panel Size		Weight lbs.
		Height	Width	Height	Width	
AFH6024	half height	60	x 24	24.875x	20	15.6
AFF6024	full height	60	x 24	48	x 20	29.9
AFH7224	half height	72	x 24	30.875x	20	19.3
AFF7224	full height	72	x 24	60	x 20	37.4
AFH9024	half height	90	x 24	39.875x	20	24.9
AFF9024	full height	90	x 24	78	x 20	48.5
AFH7230	half height	72	x 30	30.875x	26	25.0
AFF7230	full height	72	x 30	60	x 26	48.3
AFH6036	half height	60	x 36	24.875x	32	24.8
AFF6036	full height	60	x 36	48	x 32	47.5
AFH7236	half height	72	x 36	30.875x	32	30.7
AFF7236	full height	72	x 36	60	x 32	59.2
AFH9036	half height	90	x 36	39.875x	32	30.7
AFF9036	full height	90	x 36	78	x 32	76.9

### TECHNICAL READOUT

Catalog No.	Cabinet Height	Panel Size		Weight lbs
		Height	Width	
AFFSP6024	60	48	x 14	21
AFFSP6036	60	48	x 26	38
AFFSP7224	72	60	x 14	26
AFFSP7230	72	60	x 20	36
AFFSP7236	72	60	x 26	47
AFFSP9024	90	78	x 14	33
AFFSP9036	90	78	x 26	61

### AHDP SERIES

#### Application:

Spare inner panels for all HD double door enclosures

#### Construction:

- Made from 12 gauge Galvanized steel unpainted
- Ground symbols and holes. (AHDP7272 will be 12 gauge steel painted white polyester powder coating)

### AFF & AFH SERIES

#### Application:

Spare inner panels for FRS series, single door enclosures

#### Construction:

- Made from 12 gauge Galvanized steel unpainted
- Ground symbols and holes.

### AFFSP SERIES

#### Application:

Side mounted panels for FRS series, single door enclosures

#### Construction:

- Made from 12 gauge Galvanized steel unpainted
- Ground symbols and holes
- Flat construction.

